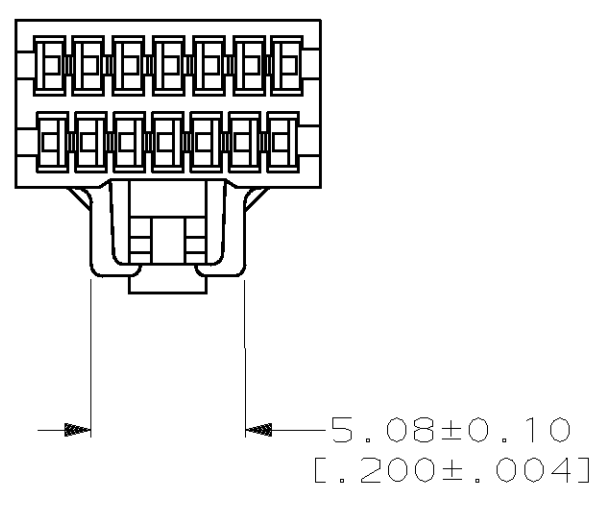
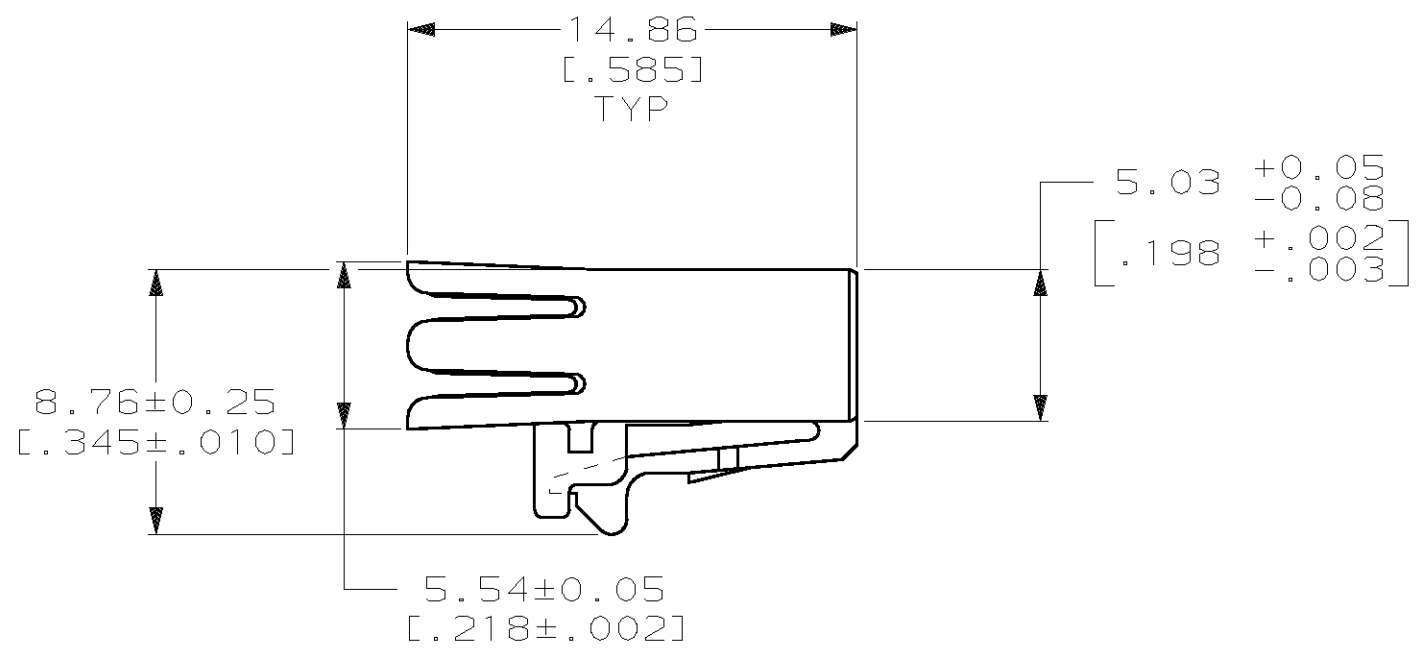
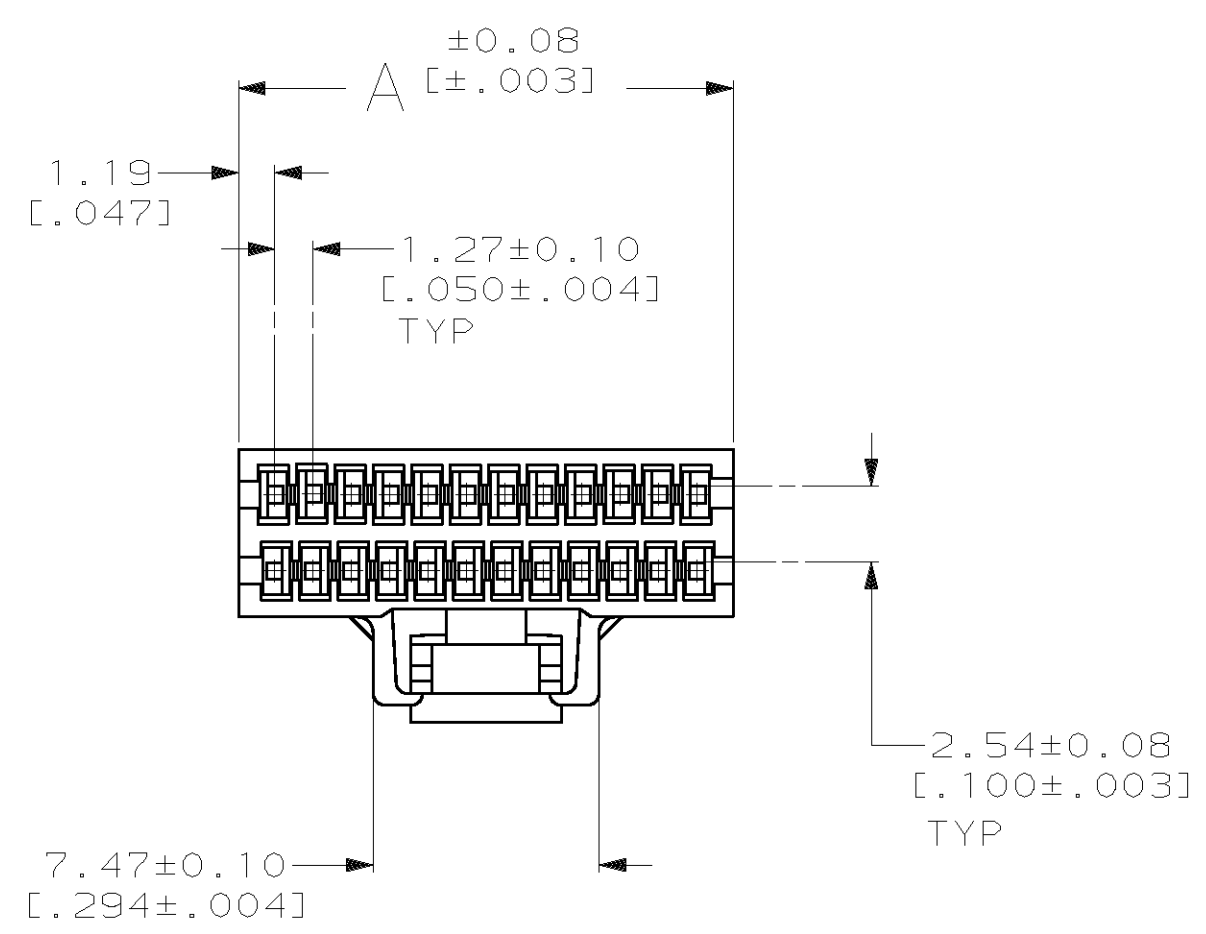


THIS DRAWING IS UNPUBLISHED. RELEASED FOR PUBLICATION  
 © COPYRIGHT 19 BY AMP INCORPORATED. ALL INTERNATIONAL RIGHTS RESERVED.

LOC	DIST	P	F	ZONE	LTR	DESCRIPTION	DATE	APPD
AR	39							
					O	RLSE PER NPR 3321 WAS 90-5863-5	02/08/91	-
					A	REV PER ECN BD4913	5-17-91	-
					B	REV PER EC 0020-520-93	08/30/93	GDM
					C	REV PER EC 0020-101-94	02/09/94	DM
					D	REV PER 0652-0062-99	24MAY99	SLB



51.99 [2.047]	80	8-487937-0
46.91 [1.847]	72	7-487937-2
39.29 [1.547]	60	6-487937-0
32.94 [1.297]	50	5-487937-0
29.13 [1.147]	44	4-487937-4
26.59 [1.047]	40	4-487937-0
22.78 [.897]	34	3-487937-4
20.24 [.797]	30	3-487937-0
17.70 [.697]	26	2-487937-6
16.43 [.647]	24	2-487937-4
13.89 [.547]	20	2-487937-0
11.35 [.447]	16	1-487937-6
10.08 [.397]	14	1-487937-4
8.81 [.347]	12	1-487937-2
7.54 [.297]	10	1-487937-0
6.27 [.247]	8	487937-8
64.69 [2.547]	100	487937-1
A	NO OF POSN	PART NO

LATCH FOR POSN SIZES LESS THEN 16

DO NOT SCALE PRINT. UNLESS SPECIFIED DIMENSIONS IN mm [INCHES] TOLERANCES ON:		DR 02/08/91 C. OBERMAN		AMP AMP Incorporated Harrisburg, PA 17105-3608	
2 PLC DEC ± 0.13 [0.005]	3 PLC DEC ± -	CHK 3-5-91 J McCLINTON	APPD 3-6-91 D L ROCKER	NAME	
ANGLES ± -	MATERIAL POLYESTER BLACK	APPD 3-6-91 J FULPONI	PRODUCT SPEC	HOUSING, RCPT, .050¢, FFC	
FINISH -	APPLICATION SPEC -	SIZE C	CAGE CODE 00779	DRAWING NO 487937	
WEIGHT -	SCALE 4:1	SHEET 1 OF 1		PART NO	